



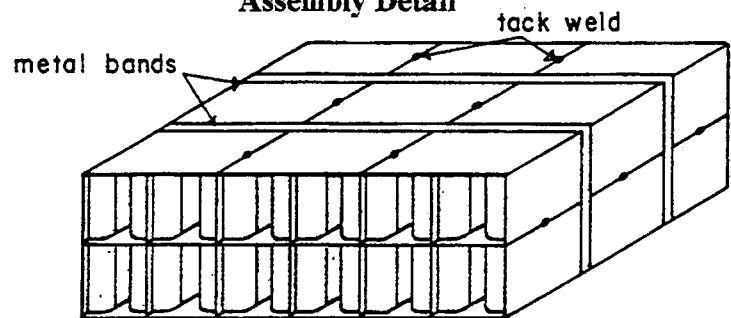
TECHNICAL DATA

Sonatrol silencers are available in modules of different cross sections for convenience in shipping and handling or for passing through existing openings. Multiple modules are shipped loose for job site assembly or may be shipped as a complete assembly, depending on size.

Assembly

Modules should be banded together with a minimum of two metal bands or steel frames around entire assembly. A minimum of one tack weld located 12" on centers along the length and width of each adjoining surface.

Assembly Detail

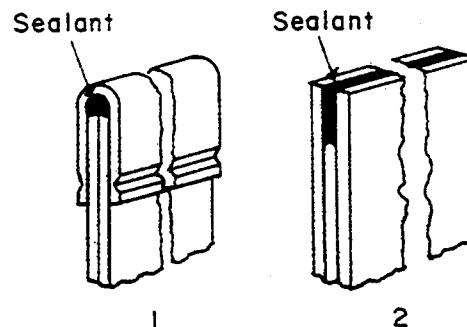


Sealing

To prevent leaks, modules must be sealed together at each end. One of the following is recommended.

1. A "U" clip may be installed with a button punch over adjacent surfaces at each end.
2. Install a suitable duct sealant between each module at the ends before banding.

Sealing Detail



Attachment

All Sonatrol silencers have 1 1/2" straight extensions at each end as designed for easy attachment to duct work with either lap and joint or slip joint connection. Extensions may be cut at the corners and bent back or standing flanges may be installed to match field ductwork. In addition, refer to pages 14 - 17 second edition (1969) SMACNA Manual for High Velocity Duct.

Attachment Detail

