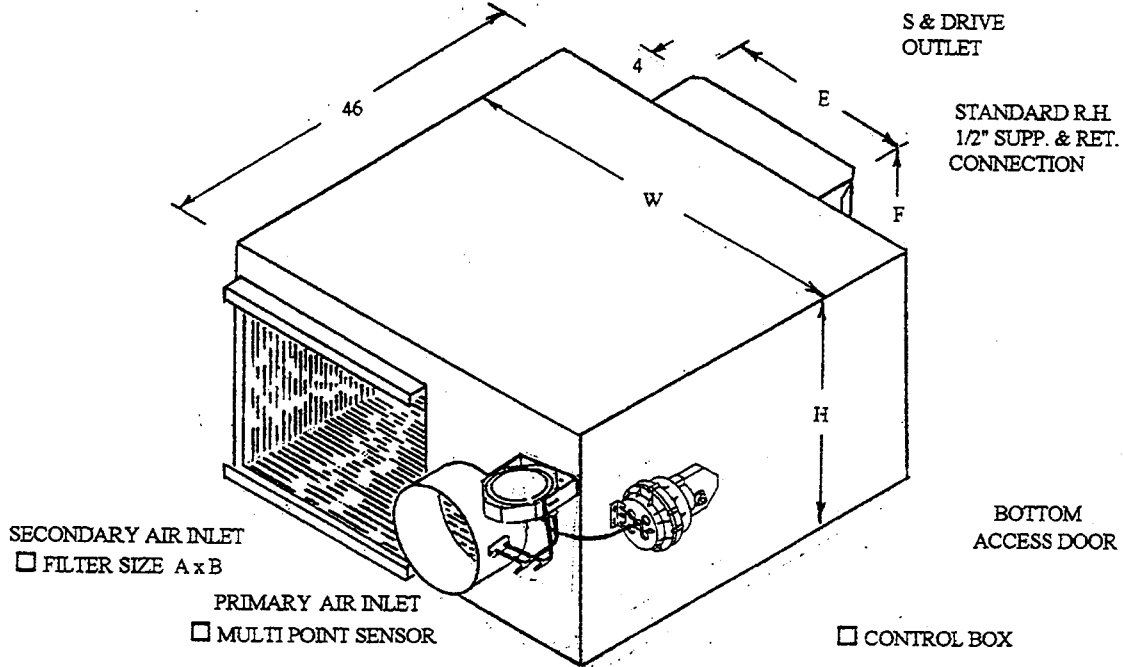




AIR ZONE INDUSTRIES, INC.

Series: **CVBM**
 Hot Water Heat
 Multi Function Control

SUBMITTAL DATA



SPECIFICATIONS

CASING - Minimum 22 gauge galvanized steel reinforced for maximum rigidity and sealed for minimum leakage (less than 2% at 3.0" wg). Units are complete with 1" - 1 1/2# density internal liner in accordance with NFPA-90A (see option below for Hospital Liner).

PRIMARY AIR VALVE - Constructed of a unitized steel frame roll formed for strength and reinforced for rigidity. Heavy gauge steel blades are roll formed for strength and durability. Stainless steel side seals and compression blade edge seals are standard to minimize leakage (less than 2% at 3.0" wg).

MOTOR & BLOWERS - Direct drive, forward curved, multiblade centrifugal blowers are complete with resilient mounted, multi speed, PSC, thermally protected, high efficient motors.

QTY EA.	MODEL NO.	MAX CFM	INLET SIZE	DIMENSIONS					
				W	H	A	B	E	F
	CVB-06	550	5.75	21	16	12	16	12	12.50
	CVB-08	1000	7.75	25	16	14	16	12	12.50
	CVB-10	1525	9.75	30	18	17	18	16	16.25
	CVB-12	1980	11.75	36	18	21	18	16	16.25
	CVB-14	2435	13.75	41	18	24	18	16	16.25
	CVB-16	3000	15.75	46	20	27	20	28	18.75
	CVB-18	4000	17.75	56	20	35	20	38	18.75

- Options: Hospital liner Fan P.E. 3 Speed switch Outlet volume control
- Controls: Factory Mount Norm. Open Pressure Independent Thermostat:
 Field mounted Norm. Closed By factory
 By Others