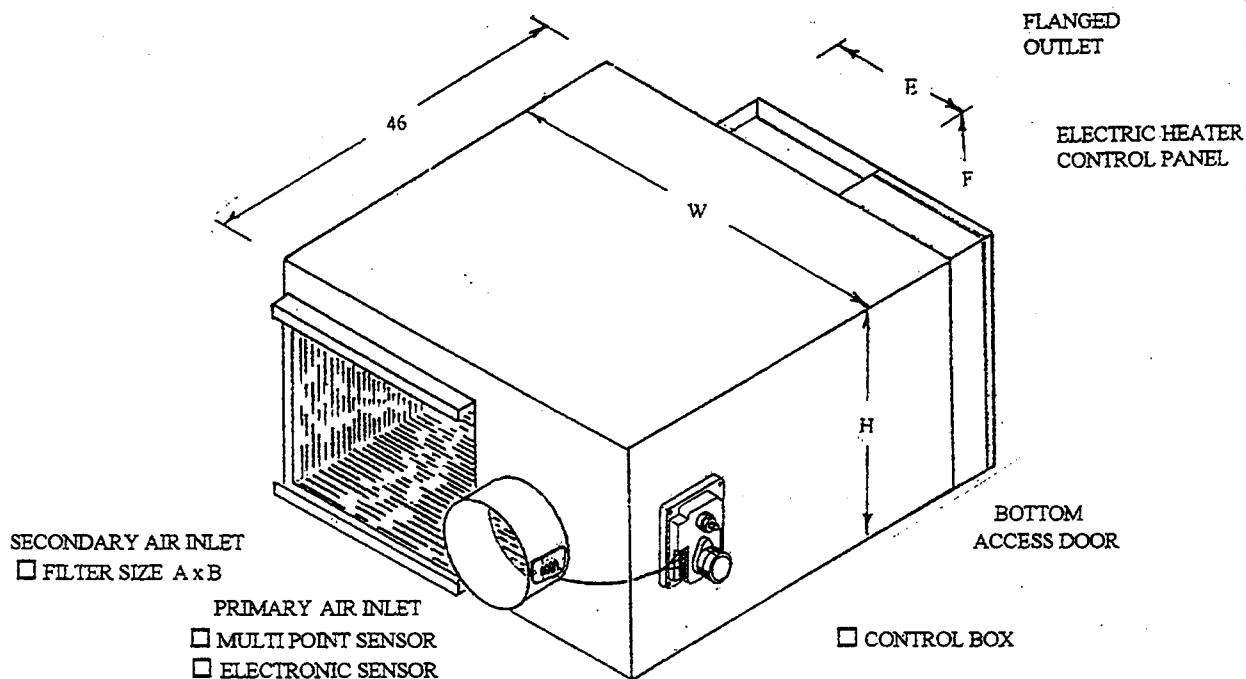




**AIR ZONE INDUSTRIES, INC.**

Series: CVBA  
Electric Heat  
Electronic Control

## SUBMITTAL DATA



### SPECIFICATIONS

**CASING** - Minimum 22 gauge galvanized steel reinforced for maximum rigidity and sealed for minimum leakage (less than 2% at 3.0" wg). Units are complete with 1" - 1 1/2# density internal liner in accordance with NFPA-90A (see option below for Hospital Liner).

**PRIMARY AIR VALVE** - Constructed of a unitized steel frame roll formed for strength and reinforced for rigidity. Heavy gauge steel blades are roll formed for strength and durability. Stainless steel side seals and compression blade edge seals are standard to minimize leakage (less than 2% at 3.0" wg).

**MOTOR & BLOWERS** - Direct drive, forward curved, multiblade centrifugal blowers are complete with resilient mounted, multi speed, PSC, thermally protected, high efficient motors.

QTY EA.	MODEL NO.	MAX CFM	INLET SIZE	DIMENSIONS					
				W	H	A	B	E	F
	CVB-06	550	5.75	21	16	12	16	12	12.50
	CVB-08	1000	7.75	25	16	14	16	12	12.50
	CVB-10	1525	9.75	30	18	17	18	16	16.25
	CVB-12	1980	11.75	36	18	21	18	16	16.25
	CVB-14	2435	13.75	41	18	24	18	16	16.25
	CVB-16	3000	15.75	46	20	27	20	28	18.75
	CVB-18	4000	17.75	56	20	35	20	38	18.75

Options:  Hospital liner     Fan Relay.     3 Speed switch     Outlet volume control

Controls:  Factory Mount     Norm. Open     40 va Transformer     Heat/Cool Changeover     By factory

Field mounted     Norm. Closed     24 Volt Actuator     Pressure Independent     By Others

Thermostat: