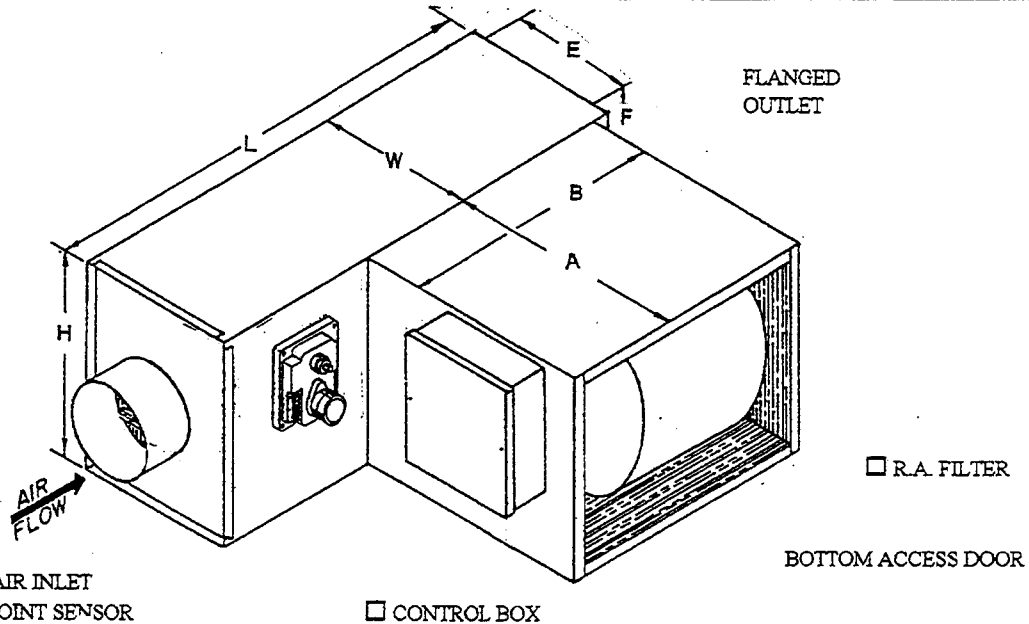




**AIR ZONE INDUSTRIES, INC.**

Series: **DTVE**  
Electric Control

## SUBMITTAL DATA



### SPECIFICATIONS

**CASING** - Minimum 22 gauge galvanized steel reinforced for maximum rigidity and sealed for minimum leakage (less than 2% at 3.0" wg). Units are complete with 1" - 1 1/2# density internal liner in accordance with NFPA-90A (see option below for Hospital Liner).

**PRIMARY AIR VALVE** - Constructed of a unitized steel frame roll formed for strength and reinforced for rigidity. Heavy gauge steel blades are roll formed for strength and durability. Stainless steel side seals and compression blade edge seals are standard to minimize leakage (less than 2% at 3.0" wg).

**MOTOR & BLOWERS** - Direct drive, forward curved, multiblade centrifugal blowers are complete with resilient mounted, multi speed, PSC, thermally protected, high efficient motors with shutter at fan discharge.

QTY EA.	MODEL NO.	INLET			DIMENSIONS						
		MAX COOL	HEAT	SIZE	L	W	H	A	B	E	F
	DTV-04	225	200	3.75	32	10	18	23	23	8	16
	DTV-06	550	400	5.75	32	10	18	23	23	8	16
	DTV-08	1000	900	7.75	32	10	18	23	23	8	16
	DTV-10	1525	1200	9.75	32	16	18	23	23	14	16
	DTV-12	2200	1600	11.75	32	16	18	23	23	14	16
	DTV-14	3000	2000	13.75	32	16	18	23	23	14	16
	DTV-16	4000	2200	15.75	32	20	18	23	23	18	16
	DTV-18	5000	2400	17.75	38	20	20	23	28	18	18

Options:  Hospital liner     Fan Relay     3 Speed switch     Outlet volume control  
 Draw Thru Design     Blow Thru Design     H.W. Heat     Electric Heat

**Controls:**

Factory Mount     Norm. Open     40 va Transformer     Pressure Dependent     By factory  
 Field mounted     Norm. Closed     24 Volt Actuator     Aux. End Switch     By Others

**Thermostat:**