



**AIR ZONE INDUSTRIES, INC.**

**SINGLE ZONE  
RECTANGULAR DAMPER**

## SUBMITTAL DATA

### SINGLE ZONE TERMINALS

**SIZES 4" THRU 24"**

**50 cfm TO 10,000 cfm**

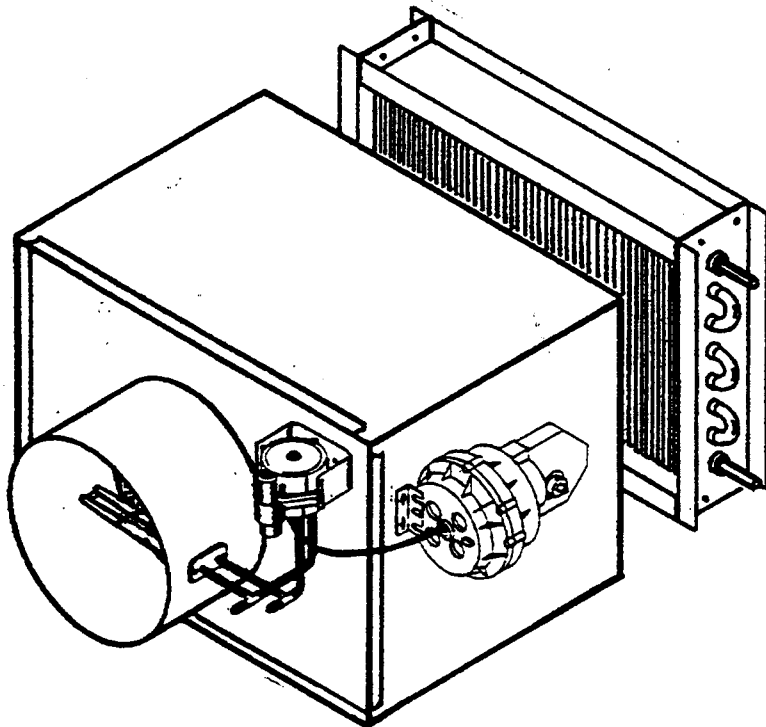
#### **All control options available:**

- Pneumatic
- Electronic
- Electric
- DDC

#### **Round/Oval Inlets & Flanged Outlets:**

##### **Options:**

- Round outlets
- Rectangular inlet/outlet
- Attenuator section
- 1 Row or 2 Row Coils
- Electric heating coils
- Special insulation



**LOW PROFILE DESIGN**