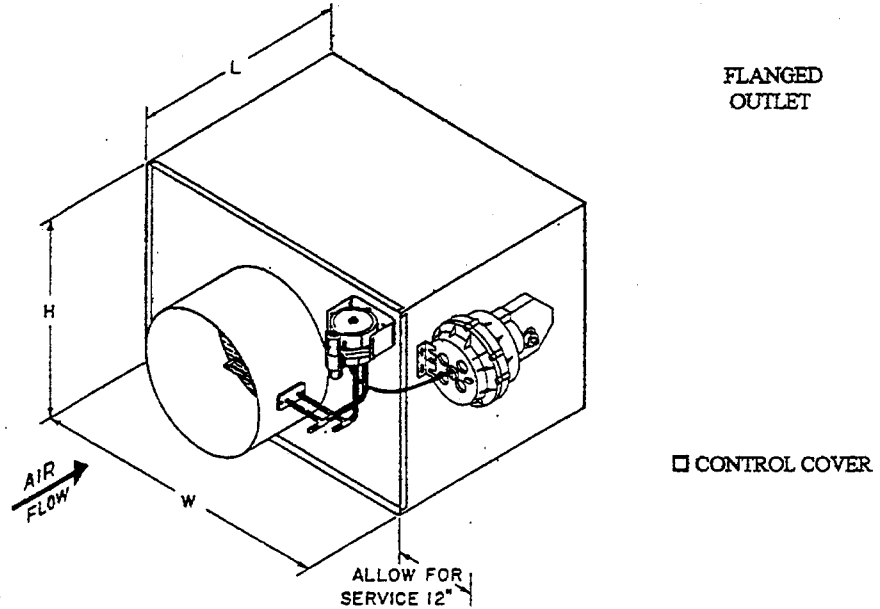




AIR ZONE INDUSTRIES, INC.

Series: **PASS**
Single Function Control

SUBMITTAL DATA



PRIMARY AIR INLET
 MULTIPoint SENSOR

CONTROL COVER

SPECIFICATIONS

CASING - Minimum 22 gauge galvanized steel reinforced for maximum rigidity and sealed for minimum leakage (approximately 2% at 3.0" wg). Units are complete with 1" glass fiber internal liner in accordance with NFPA-90A (see option below for hospital liner).

PRIMARY AIR VALVE - Constructed of a unitized steel frame with formed blades that operate opposed or parallel action. Blades pivot on a solid machined shaft and rotate in permanently lubricated bearings. All hardware is zinc plated, side seals are stainless with dual blade edge seals. Leakage is maintained at approximately 2% at 3.0" wg.

QTY EA.	MODEL NO.	CFM MAX	INLET SIZE	DIMENSIONS		
				W	H	L
—	PASS-04	200	3 3/4	11	12	13
—	PASS-05	400	4 3/4	11	12	13
—	PASS-06	550	5 3/4	11	12	13
—	PASS-08	1000	7 3/4	18	12	13
—	PASS-10	1600	9 3/4	18	12	13
—	PASS-12	2200	12 3/4 x 9 3/4	18	12	13
—	PASS-14	2800	15 3/4 x 9 3/4	31	12	13
—	PASS-16	3500	18 3/4 x 9 3/4	31	12	13
—	PASS-18	5000	18 3/4 x 15 3/4	28	18	22
—	PASS-20	6500	21 3/4 x 15 3/4	34	18	22
—	PASS-24	10000	39 3/4 x 15 3/4	42	18	22

Options: Hospital Liner Hot Water Reheat Electric Reheat Attenuator Section
 Outlet To Match Inlet Rectangular Inlet

Controls:
 Factory Mount Norm. Open Press. Independent
 Field Mounted Norm. Closed

Thermostat:
 By Factory
 By Others