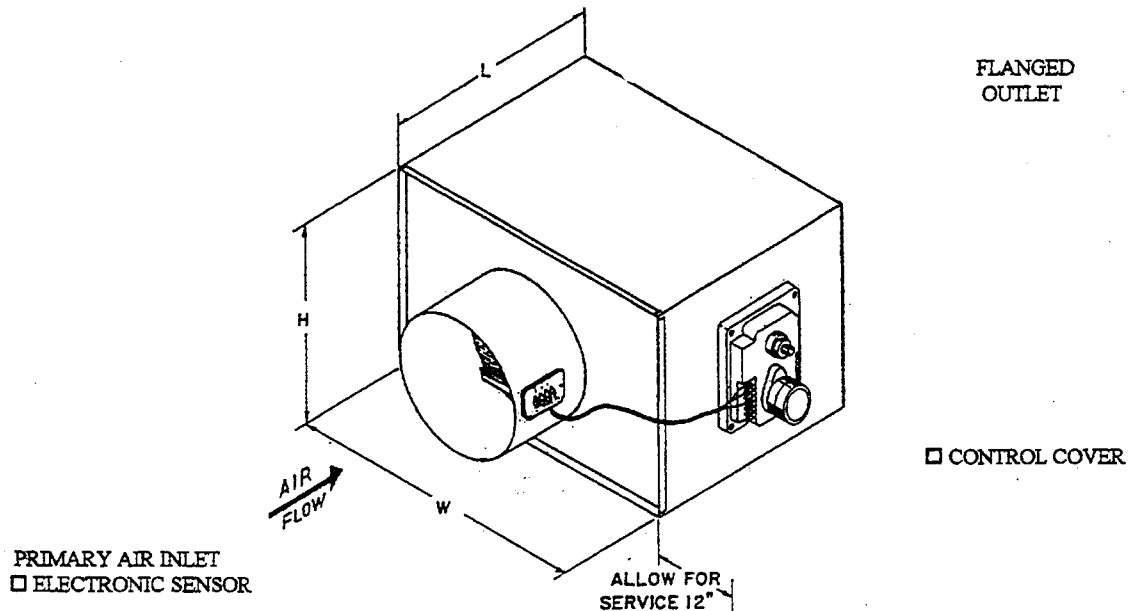




AIR ZONE INDUSTRIES, INC.

Series: **PASA**
Electronic Control

SUBMITTAL DATA



SPECIFICATIONS

CASING - Minimum 22 gauge galvanized steel reinforced for maximum rigidity and sealed for minimum leakage (approximately 2% at 3.0" wg). Units are complete with 1" glass fiber internal liner in accordance with NFPA-90A (see option below for hospital liner).

PRIMARY AIR VALVE - Constructed of a unitized steel frame with formed blades that operate opposed or parallel action. Blades pivot on a solid machined shaft and rotate in permanently lubricated bearings. All hardware is zinc plated, side seals are stainless with dual blade edge seals. Leakage is maintained at approximately 2% at 3.0" wg.

QTY	MODEL	CFM	INLET	DIMENSIONS		
				W	H	L
EA.	NO.	MAX	SIZE			
—	PASA-04	200	3 3/4	11	12	13
—	PASA-05	400	4 3/4	11	12	13
—	PASA-06	550	5 3/4	11	12	13
—	PASA-08	1000	7 3/4	18	12	13
—	PASA-10	1600	9 3/4	18	12	13
—	PASA-12	2200	12 3/4 x 9 3/4	18	12	13
—	PASA-14	2800	15 3/4 x 9 3/4	31	12	13
—	PASA-16	3500	18 3/4 x 9 3/4	31	12	13
—	PASA-18	5000	18 3/4 x 15 3/4	28	18	22
—	PASA-20	6500	21 3/4 x 15 3/4	34	18	22
—	PASA-24	10000	39 3/4 x 15 3/4	42	18	22

Options: Hospital Liner Hot Water Reheat Electric Reheat Attenuator Section
 Outlet To Match Inlet Rectangular Inlet

Controls: Factory Mount Norm. Open 40 va Transformer Press. Independent By Factory
 Field Mounted Norm. Closed 24 v Actuator Heat/Cool Changeover By Others

Thermostat: