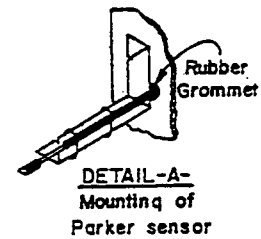
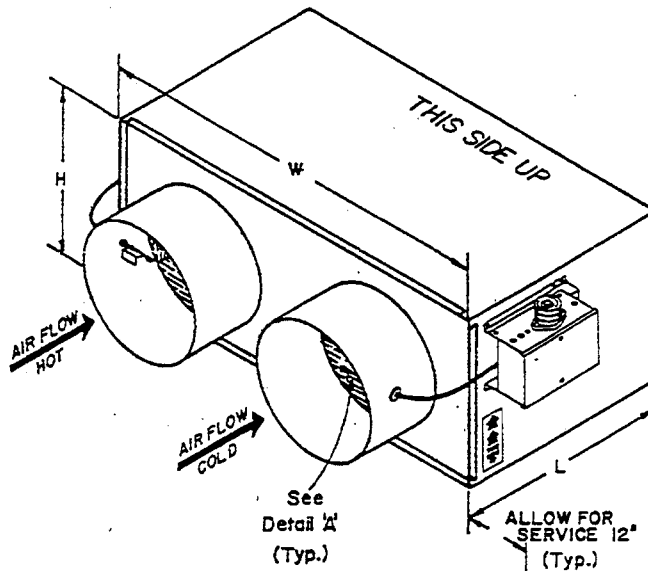




**AIR ZONE INDUSTRIES, INC.**

**SERIES: DDM - ELECTRONIC  
BASIC UNIT**

## SUBMITTAL DATA



### SPECIFICATIONS

**CASING** — Minimum 24 gauge galvanized steel reinforced for maximum rigidity and minimum leakage. Units complete with a minimum of 1/2" - 2# density insulation in accordance with NFPA-90A.

**PRIMARY AIR VALVE** — Constructed of welded steel channel frame with 18 gauge galvanized steel blades, die formed stiffeners and full blade stop. Stainless steel side seals standard along with blade seals to minimize leakage. All hardware is zinc plated with brass pivot points and bronze oilite bearings. Shafts are corrosion resistant 1/2" diameter.

| DIMENSIONS |        |          |                             |    |    |    |
|------------|--------|----------|-----------------------------|----|----|----|
| Qty.       | Model  | Max. CFM | Inlet Size                  | W  | H  | L  |
|            | DDM-04 | 200      | 3-3/4                       | 22 | 12 | 13 |
|            | DDM-05 | 400      | 4-3/4                       | 22 | 12 | 13 |
|            | DDM-06 | 550      | 5-3/4                       | 22 | 12 | 13 |
|            | DDM-08 | 1,000    | 7-3/4                       | 36 | 12 | 13 |
|            | DDM-10 | 1,600    | 10-3/4 x 7-3/4 <sup>1</sup> | 36 | 12 | 13 |
|            | DDM-12 | 2,200    | 13-3/4 x 7-3/4 <sup>1</sup> | 36 | 12 | 13 |
|            | DDM-14 | 2,800    | 15-3/4 x 7-3/4 <sup>1</sup> | 72 | 12 | 13 |
|            | DDM-16 | 3,500    | 19-3/4 x 7-3/4 <sup>1</sup> | 72 | 12 | 13 |
|            | DDM-18 | 5,000    | *19-3/4x13-3/4 <sup>1</sup> | 56 | 18 | 22 |
|            | DDM-20 | 6,500    | *22-3/4x13-3/4 <sup>1</sup> | 68 | 18 | 22 |
|            | DDM-24 | 10,000   | 39-3/4x15-3/4 <sup>2</sup>  | 84 | 18 | 22 |

\* Inlet and outlet collars are undersized 1/4" for flex or spiral duct. Allow 1/2" pipe diameters minimum straight duct inlet on all units.

<sup>1</sup> Oval inlet    <sup>2</sup> Rectangular inlet

### CONTROLS

- |  |  |
|--|--|
| <input type="checkbox"/> Factory Mounted and Tested  | <input type="checkbox"/> Field Mounted   |
| <input type="checkbox"/> Normally Open<br><input type="checkbox"/> Hot <input type="checkbox"/> Cold | <input type="checkbox"/> Normally Closed<br><input type="checkbox"/> Hot <input type="checkbox"/> Cold |
| <input type="checkbox"/> Pressure Dependent - Single   | <input type="checkbox"/> Pressure Independent - Single   |
| <input type="checkbox"/> Pressure Dependent - Dual   | <input type="checkbox"/> Pressure Independent - Dual   |

### TRANSFORMER

- |  |  |
|--|--|
| <input type="checkbox"/> Factory Mounted | <input type="checkbox"/> Field Mounted |
|--|--|

### THERMOSTAT

- |   |   |
|---|---|
| <input type="checkbox"/> Factory Supplied | <input type="checkbox"/> Field Supplied |
|---|---|

### CONTROL COVER

- |                                   |                                       |
|-----------------------------------|---------------------------------------|
| <input type="checkbox"/> Included | <input type="checkbox"/> Not Required |
|-----------------------------------|---------------------------------------|