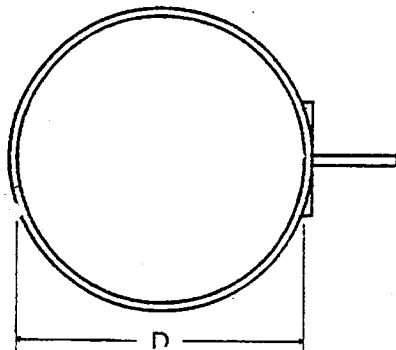




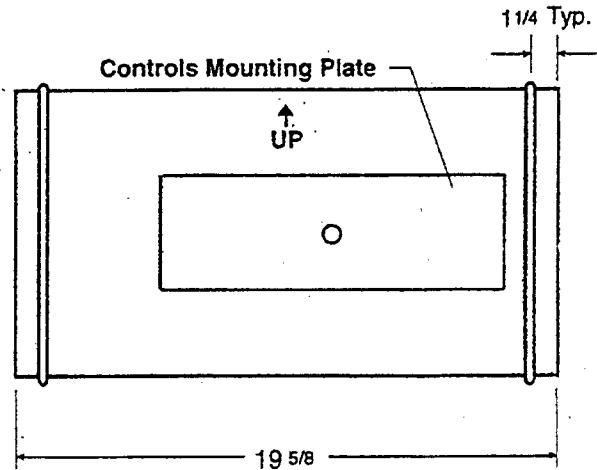
AIR ZONE INDUSTRIES, INC.

Series: **RFR**
Retrofit Round Valve

SUBMITTAL DATA



PRIMARY AIR INLET
 MULTI-POINT SENSOR
 ELECTRONIC SENSOR



CONTROL COVER

SPECIFICATIONS

PRIMARY AIR VALVE - Constructed of a unitized rolled steel cylinder with a high density full diameter seal sandwiched between two bonded blades that pivot on a solid machined shaft and rotate in lifetime molded synthetic bushings. Leakage is maintained less than 1% at 4.0" wg.

QTY EA.	MODEL NO.	CFM RANGE	DIMENSIONS	
			D	L
—	RFR-06	250 - 500	5 7/8	19 5/8
—	RFR-08	450 - 900	7 7/8	19 5/8
—	RFR-10	700 - 1400	9 7/8	19 5/8
—	RFR-12	1000 - 2000	11 7/8	19 5/8
—	RFR-14	1400 - 2800	13 7/8	19 5/8
—	RFR-16	1800 - 3600	15 7/8	19 5/8

Options: Square Mounting Plate at Inlet Dual Duct Mounting Plate Manual Locking Quadrant

Controls: Controls By Others Field Mounted Pressure Dependent Pressure Independent
 Norm. Open Norm. Closed
 Single Function Pneumatic Multi Function Pneumatic
 24 Volt Electric Analog Electronic
 40 va Transformer 24 V Electronic Actuator
 Heat/Cool Changeover Aux. End Switch

Thermostats: By Factory By Others