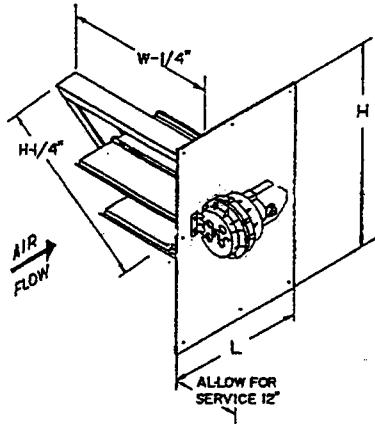




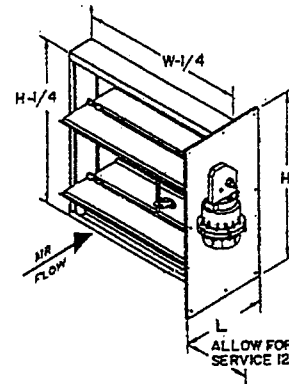
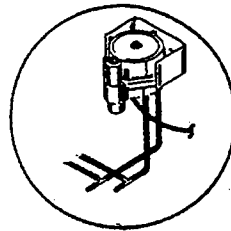
**AIR ZONE INDUSTRIES, INC.**

Series: **PVSS**  
Single Function Control

**SUBMITTAL DATA**



60 Degree Mounting



90 Degree mounting

**SPECIFICATIONS**

**PATCH PLATE** - Constructed of 18 gauge galvanized steel attached to damper frame with screws for a unitized rigid assembly. Duct sealer and flashing angles installed as per instruction will minimize leakage to approximately 2% at 3.0 " wg.

**PRIMARY AIR VALVE** - Constructed of a unitized steel frame with formed blades that operate opposed or parallel action. Blades pivot on a solid machined shaft and rotate in permanently lubricated bearings. All hardware is zinc plated, side seals are stainless with dual blade edge seals. Leakage is maintained at approximately 2% at 3.0" wg.

QTY EA.	MODEL NO.	CFM MAX	INLET SIZE	DIMENSIONS		
				W	H	L <sub>0</sub>

(1) Length of unit is a function of height and mounting. All units with damper mounted at 90 degrees are furnished standard with a length of 10". All dampers mounted at 60 degrees H = L.

**Options:**  MULTI-POINT SENSOR       CONTROL COVER

**Controls:**  
 Factory Mount       Norm. Open       Pressure Independent  
 Field Mounted       Norm. Closed

**Thermostat:**  
 By Factory  
 By Others