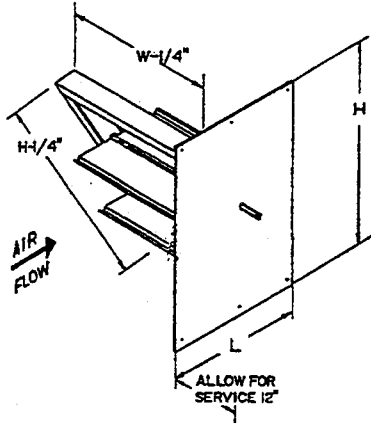




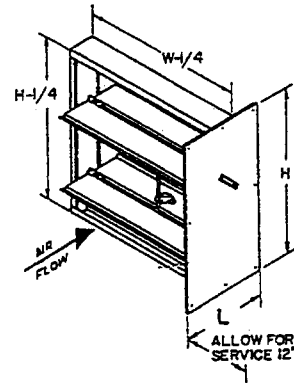
AIR ZONE INDUSTRIES, INC.

Series: **PVSO**
Controls By Others

SUBMITTAL DATA



60 Degree Mounting



90 Degree mounting

SPECIFICATIONS

PATCH PLATE - Constructed of 18 gauge galvanized steel attached to damper frame with screws for a unitized rigid assembly. Duct sealer and flashing angles installed as per instruction will minimize leakage to approximately 2% at 3.0 " wg.

PRIMARY AIR VALVE - Constructed of a unitized steel frame with formed blades that operate opposed or parallel action. Blades pivot on a solid machined shaft and rotate in permanently lubricated bearings. All hardware is zinc plated, side seals are stainless with dual blade edge seals. Leakage is maintained at approximately 2% at 3.0" wg.

QTY EA.	MODEL NO.	CFM MAX	INLET SIZE	DIMENSIONS		
				W	H	L ⁽¹⁾

(1) Length of unit is a function of height and mounting. All units with damper mounted at 90 degrees are furnished standard with a length of 10". All dampers mounted at 60 degrees H = L.

Options: MULTI POINT SENSOR CONTROL COVER

Controls:

- Factory Mount Norm. Open 40 va Transformer Press. Dependent
 Field Mounted Norm. Closed 24 v Actuator Press. Independent

Thermostat:

- By Factory
 By Others