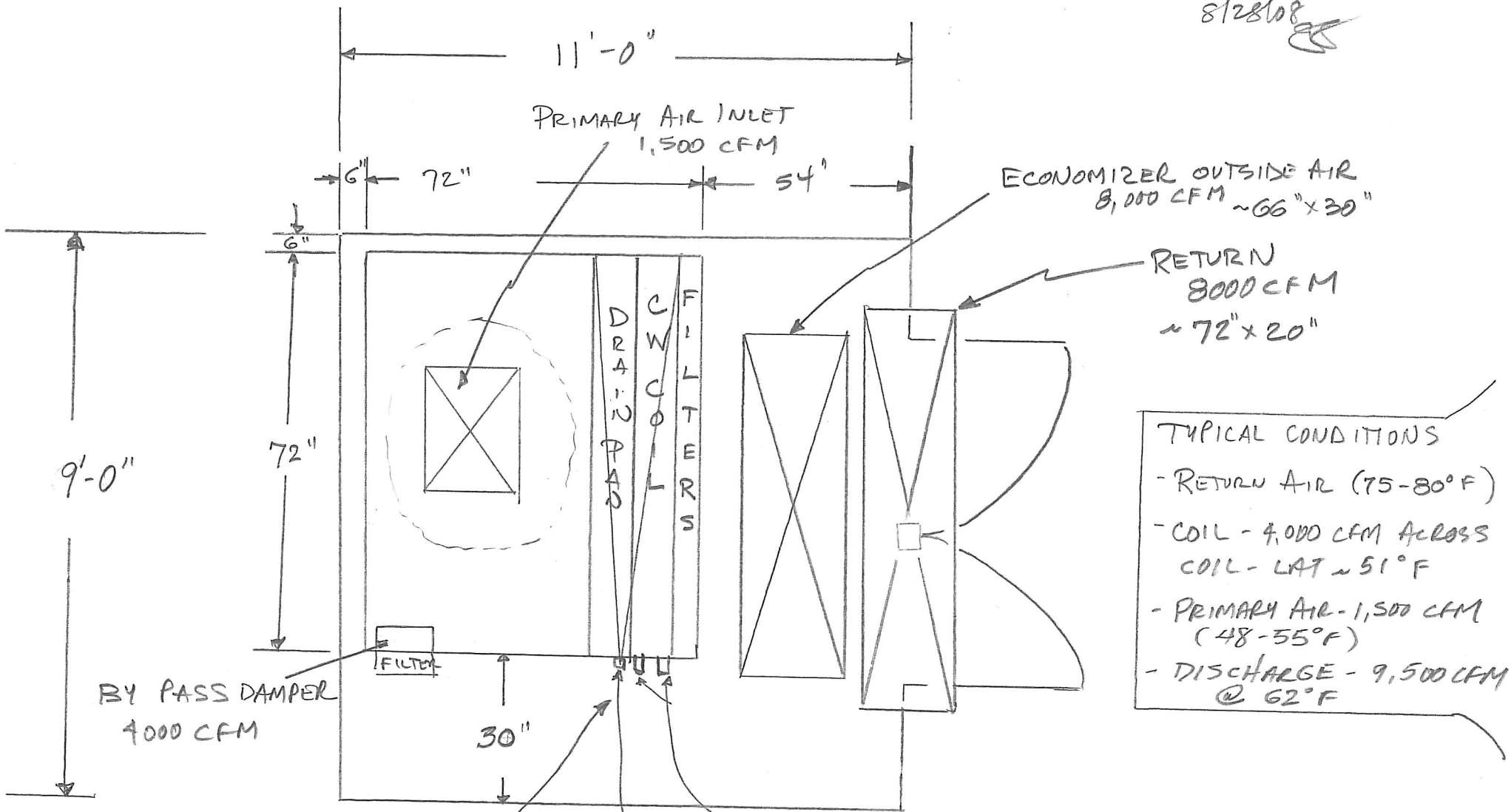


PROPOSED AIR ZONE MECH ROOM LAYOUT.

8/28/08



TYPICAL CONDITIONS

- RETURN AIR (75-80°F)
- COIL - 4,000 CFM ACROSS COIL - LAT ~ 51°F
- PRIMARY AIR - 1,500 CFM (48-55°F)
- DISCHARGE - 9,500 CFM @ 62°F

COULD ADD HW COIL

- HEATING OPTIONS:
- 1) HW COIL IN UNIT AT PRIMARY AIR INLET - COULD HAVE PLENUM FOR SIDE ENTRY IN LIEU OF TOP ENTRY
 - 2) MECH CL/UNIT HW COIL TO HEAT SPACE RETURN AIR/ECONOMIZER AIR.